



OD PLUS

OD H

1000-3000 VA



OD PLUS - OD H

- Online double conversion technology (VFI) from 1000 VA to 3000 VA with a power factor of 0.9.
- Versatile: the display panel can be turned to transform the rack into a tower.
- Easy to install.
- Low running costs: the high efficiency VFI and ECO features minimise energy consumption.
- High uptime expandability.
- User-friendly monitoring software can be downloaded free and is compatible with the principle operating systems, for: monitoring functions, diagnostics, controlled shutdown of loads in the event of blackouts.
- High overload handling capacity.
- Constant voltage constant frequency (CVCF) output mode for maximum protection of particularly sensitive loads.
- Wide input voltage and frequency ranges reduce battery switching, thereby increasing battery life and

efficiency.

- Option to set the percentage residual battery charge from 3% to 100% of the available capacity.
- The accurately calculated residual operating time is shown on the display.
- Two sets of IEC sockets that can be programmed separately.
- Cold start option without mains power.
- The firmware can be upgraded easily to implement new features.
- EPO or On/Off, with remote option.
- RS232 and USB ports, slots for optional communication cards.

Specifically for OD H

- Built to guarantee efficiency and performance from -10°C to 55°C.
- Batteries designed for extreme temperatures.

OD PLUS - OD H 1000-3000 VA

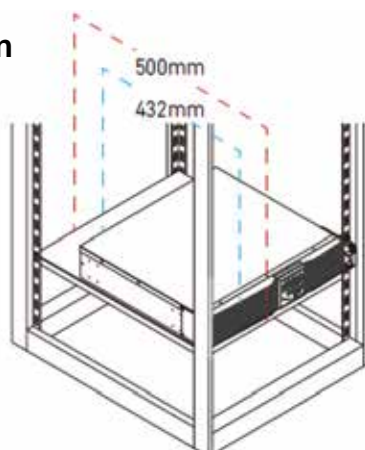
When you need to prevent a service outage and ensure safety and continuity in extreme conditions, you need a robust, highly reliable UPS.



Applications

- All applications in harsh climate areas
- Industrial applications
- IT and telecoms (transmitting-and-receiving stations)
- Underground transport
- Traffic control
- Wind farms
- Electromedical equipment

Suitable for 600mm cabinets.



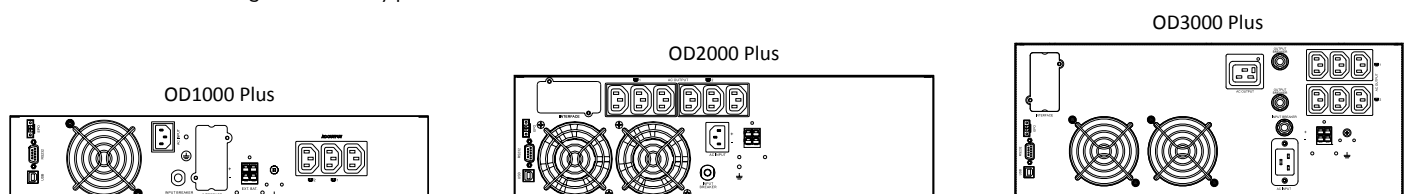
ODIN HARSH SINGLE-PHASE 1000-3000VA

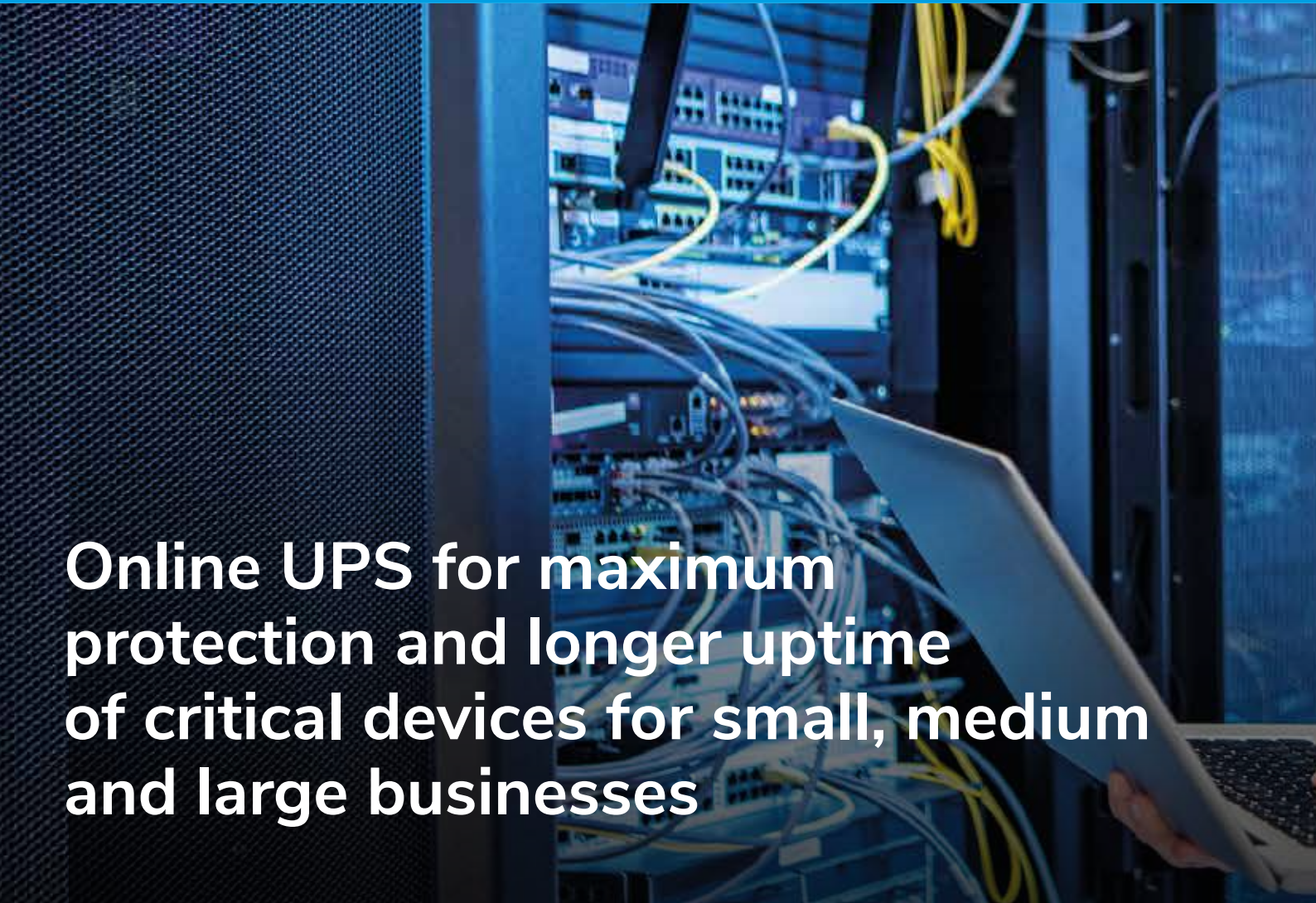
OD PLUS - OD H

OD PLUS - OD H TECHNICAL DATA SHEET

MODEL		OD1000 Plus	OD2000 Plus	OD3000 Plus	
POWER	VA	1000	2000	3000	
	W	900	1800	2700	
INPUT	Rated voltage*	Standard	110/150/180-300 VAC (@-10°C~40°C Based on load percentage 0 ~ 60% / 0 ~ 75% / 0 ~ 100%)		
		Harsh	110/150/180-300 VAC (@-10°C~40°C Based on load percentage 0 ~ 60% / 0 ~ 75% / 0 ~ 100%) (@40°C~55°C 180-300 VAC Based on load percentage 0-60%)		
	Frequency	44 – 66 Hz			
	Power factor	>0.99			
OUTPUT	Rated voltage	Standard	200/208/220/230/240 Vac		
		Harsh	230 V, adjustable to 200/208/220/230/240(@-10°C~40°C) 230 V, adjustable to 220/230/240(@40°C~55°C)		
	Voltage distortion	<3% with linear load, <6% with distorting load			
	Voltage stability	±1%			
	Frequency	50/60 Hz (selectable)			
	Frequency stability	±1 Hz or ±3 Hz (selectable)			
	Power factor	Standard	0.9		
		Harsh	-10 /+ 40 °C PF = 0.9 , +40/+55 °C PF = 0.6		
	Crest factor	3:1			
	Waveform	Pure sine wave			
	Output sockets	3 x IEC C13	6 x IEC C13	6 x IEC C13 1 x IEC C19 lockable**	
	EFFICIENCY	VFI mode	up to 92%		
		ECO mode	up to 97%		
	GENERAL	Dimensions (WxDxH) mm	440x405x88 (2U)	440x432x132 (3U)	440x432x176 (4U)
Weight (kg) ***		11.7	23	25	
Alarms		Audible and visual alarm alerts for: power failure, low battery, bypass transfer, and UPS fault.			
Protection		Overload, overheating, short circuit, deep discharge, battery overcharging.			
Operating mode		Multi-mode: VFI, ECO, Constant voltage constant frequency (CVCF) output.			
Cold start from the battery without mains power		Included			
BATTERY	Battery type	Sealed maintenance free lead acid 12Vdc			
	Number per string	3	6		
	Uptime with internal battery in minutes	50% Load	14	15	12
		100% Load	5	5	4
	Charging time (90%)	4 – 6 hours			
Battery expansion module dimensions (WxDxH) mm	440x430x88(2U)	440x430x176 (4U)			
ENVIRONMENTAL PARAMETERS	Operating temperature	0 – 40°C			
	Relative humidity	0% – 90% (non-condensing)			
	Altitude (a.s.l.)	<1000 m with no power derating, >1000 m with 1% derating for every 100 m.			
	Audible noise at 1 m.	≤50dB			
CONNECTIVITY	Built-in communication ports	USB, RS232, EPO and additional slots for optional cards			
	User interface	LED, LCD and function keys (parameters: voltage, frequency, percentage load, battery voltage, output voltage, estimated uptime, UPS temperature).			
	Optional accessories	Cards: SNMP, RS485 ModBus and dry relay contacts			
	Compatible software platforms	Microsoft Windows, Linux, Mac OS, VMware			
REGULATIONS	Standards	IEC EN 62040-1, IEC EN 62040-2, IEC EN 62040-3			
	Marking	CE			

* Battery weight and configuration depends on the required uptime ** OD3000 Plus has 1 x IEC C19 lockable, while OD3000 HARSH does not have
 *** To be verified according to the battery parameters





AR PRO Tower
1000VA - 3000VA



AR SMART Tower
1000VA - 3000VA



AR PRO RT
1000VA - 3000VA

SINGLE-PHASE ONLINE UPS



OD PLUS • OD H
1000VA - 3000VA



MSIII Tower
6000VA - 10000VA



MSIII RT 1/1
6000VA - 10000VA



MSII RT 3/1
10000VA - 20000VA



Rev.2024/06 - Our commitment to continuous innovation means that catalogue data may be subject to change without notice

AblereX Electronics Italy srl

Viale Milanofiori · Strada 6 · Palazzo N1
20089 Rozzano (MI)
info@ablereX.eu · Tel. +39 02 36696420
www.ablereX.eu

AblereX Electronics Ltd

19 The Circle Queen Elizabeth Street,
London, Greater London SE1 2JE - UK
info@ablereX.uk · Ph. +44 (0) 7920 058834
www.ablereX.uk